



# Lighting Streets with Sustainable Energy

[www.litsenergy.com](http://www.litsenergy.com)

SOLAR STREET LIGHT



# INTRODUCTION

## Product specifications

01	FRONT COVER	02	CATALOG	03 ~ 07	MAIN ADVANTAGES
08	OTHER ADVANTAGES	09	SPECIFICATIONS	10	EXPLODED VIEW
11	EXPLODED VIEW OF BATTERY PACK	12	OPTICAL FIGURE	13	DIMENTION FIGURE
14	LIGHT POLE DIAGRAM	15	MORE DETAILS	16	CORE TECHNOLOGY
17	INSTALLATION INSTRUCTIONS	18 ~ 19	PACKAGE DETAIL	20	APPLICATION

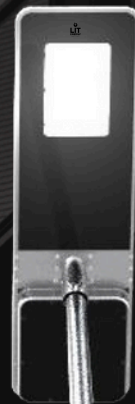
# CREATE A NEW TREND OF STREET LIGHTS

Explore endless possibilities



BASALT

**A LAMP THAT  
MAKES THE CITY  
SO COOL**





Integrated aluminum frame is uniformly stressed, Super breakage resistant, No fear of harsh environments



A one-piece plastic tempered glass panel gives the shell excellent structure, Strength and beauty



## POWER LI-ION BATTERY

TCS technology for light can work well in High and low temperature during 0°~45°

OTHER LIGHTS HAVE, WE ALL HAVE  
**ALSO WE HAVE WHAT  
OTHERS DON'T**



**Automatic Alarm**

Auto detected and alarm the  
damaged components



**Scientific Light Distribution**

High penetration  
Wide coverage



**Speed ODM Service**

Various customized  
production also for small orders



**Battery Temperature Control Technology (TCS)**

Protect the battery in high temperature and prolong  
the span life



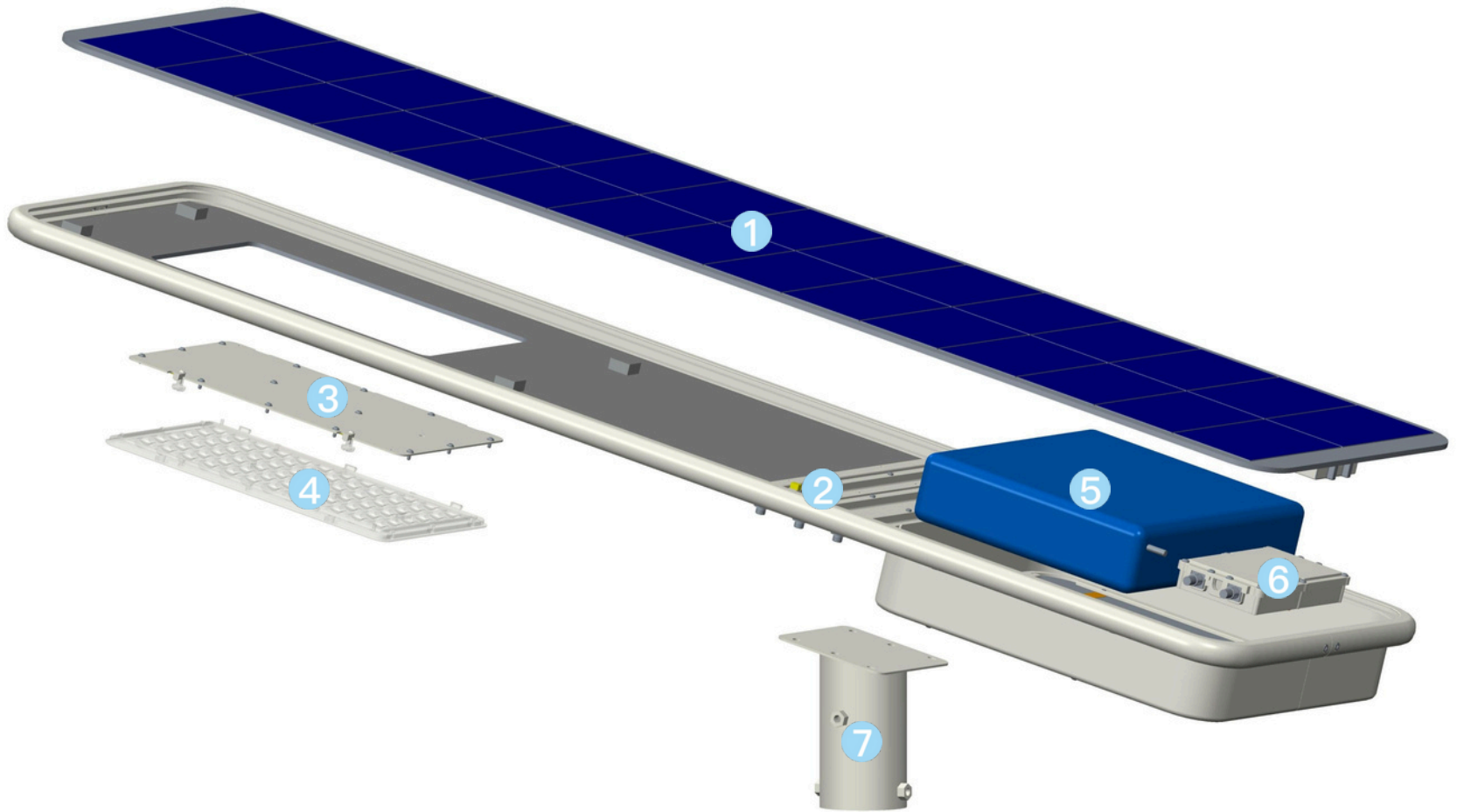
**ALS2.3 patented technology**

Longer lighting time

## SOLAR LIGHT | SPECIFICATION

Item : BASALT	SSL-92	SSL-94	SSL-96	SSL-98	SSL-910	SSL-912
Light Brightness	2000LM	4000LM	6000LM	8000LM	10000LM	12000LM
<b>Solar panel</b>						
Power	37.5W	37.5W	60W	60W	75W	75W
<b>Li-ion battery</b>						
Capacity	14.8V 153.92WH 2.6AH/PCS	14.8V 230.88WH 2.6AH/PCS	14.8V 346.32WH 2.6AH/PCS	14.8V 461.76WH 2.6AH/PCS	14.8V 577.5WH 2.6AH/PCS	14.8V 692.64WH 2.6AH/PCS
Charging/Discharging Temp	0~45°C					
Charging Time	4.5H	6.7H	6.3H	8.4H	8.4H	10H
LED (OSRAM)	3030 / 72pcs	3030 / 72pcs	3030 / 44pcs	3030 / 144pcs	3030 / 288pcs	3030 / 288pcs
Color Temp	4000K , Ra 70+	4000K , Ra 70+	4000K , Ra 70+	4000K , Ra 70+	4000K , Ra 70+	4000K , Ra 70+
Efficiency	190lm/W	190lm/W	190lm/W	190lm/W	190lm/W	190lm/W
<b>Performance</b>						
Lighting Time in Rainyday	>10 Days					
Control Mode	Button Switch , ON/OFF Long Press 1.5s					
Lighting Mode	100% ( 5H ) +20% Till dawn					
Mode Indication	-					
Capacity Indication	4LEDs : >80% ; 3LEDs : 60%~80% ; 2LEDs : 30%~60% ; 1LEDs : <30% ; The 1st LED flashes quickly : Low power					
FAS	YES					
PIR	120° , >8m , Activated by customer 's need					
Core technology	ALS 2.3 / TCS1.0 / FAS 1.0					
Solar Panel Autoclean	-					
IP/IK Class	IP65 / IK08					
Install Height / Distance	3m / 15m	4m / 18m	6m / 27m	8m / 36m	10m / 45m	12m / 54m

# SOLAR LIGHT | EXPLODED VIEW



Solar Panel



Product Shell



Led Plate



Optical Lens



Battery Pack

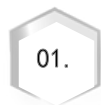


Control Module



Bracket

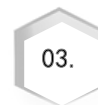
# SOLAR LIGHT I | EXPLODED VIEW OF BATTERY PACK



Shell



Li-ion Battery Pack

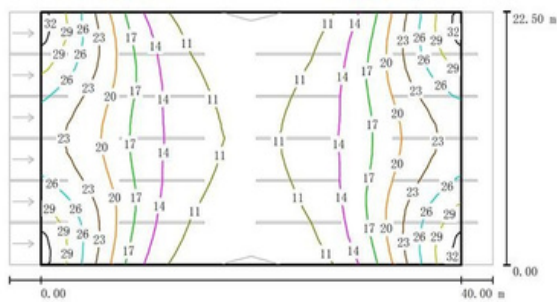


Case

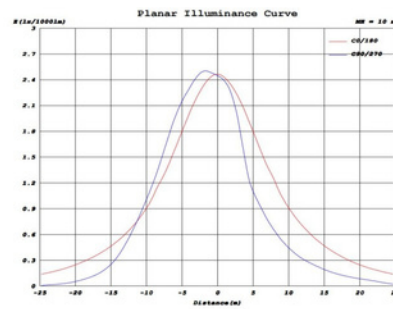


SSL-92/94/96/98/910/912

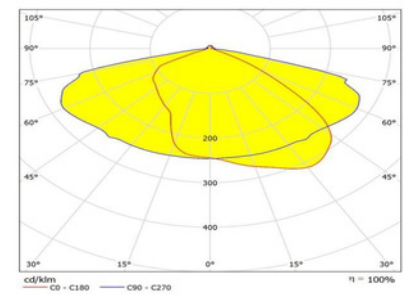
Road Simulated Diagram

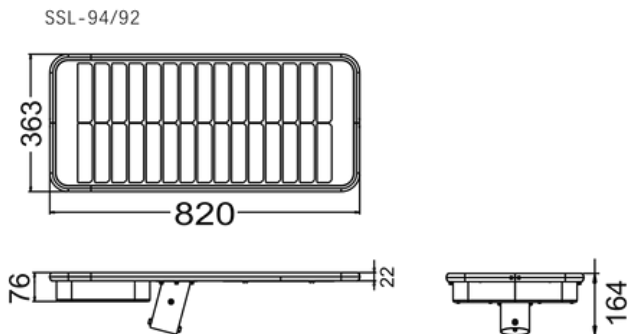
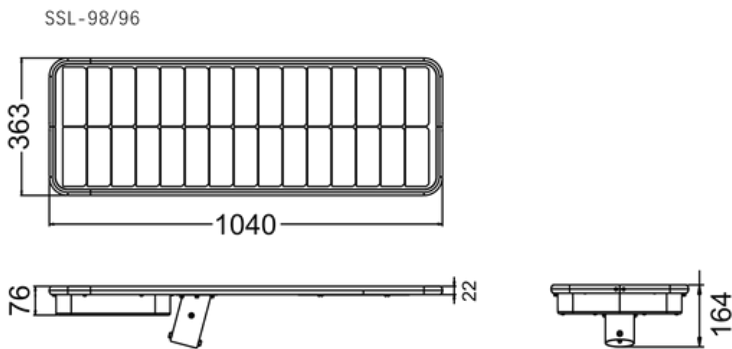
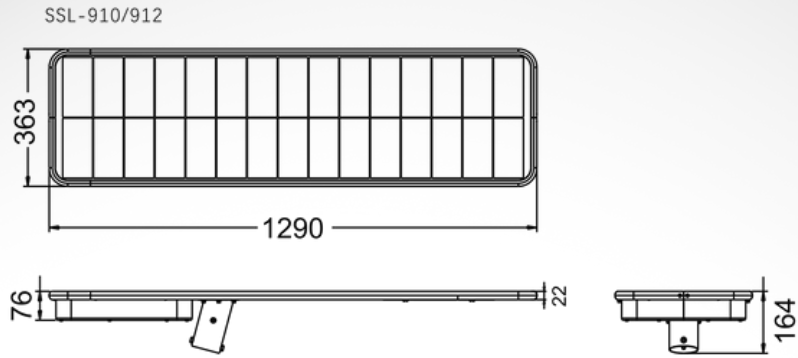


Illumination Curve



Luminance Distribution



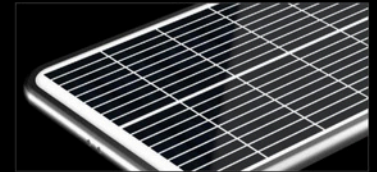




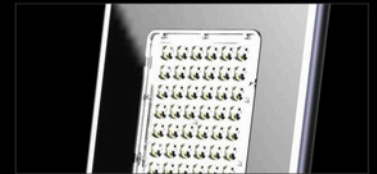
## Detail Benefits



High lumen LEDs 190lm/W



Monocrystalline >21%



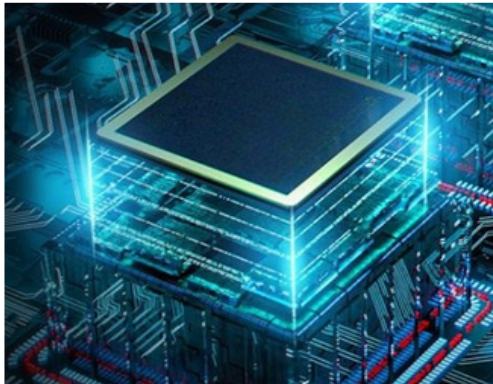
Bracket



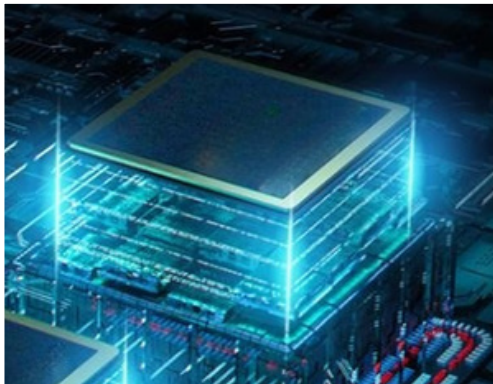
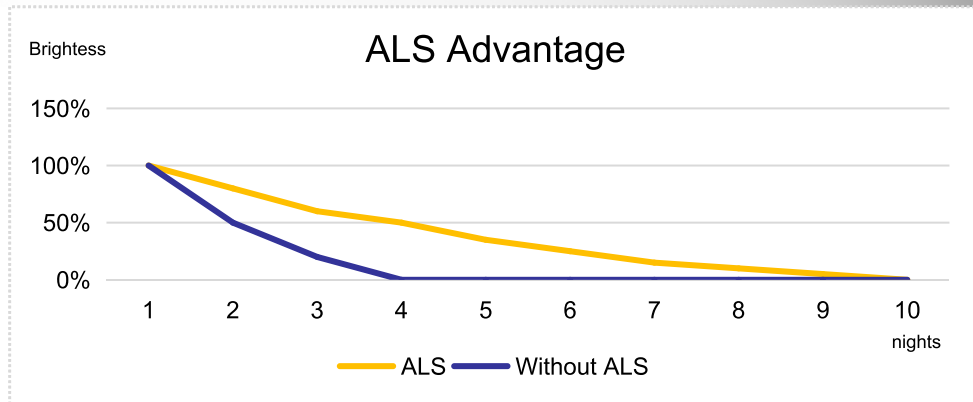
LED Indicator for All Status



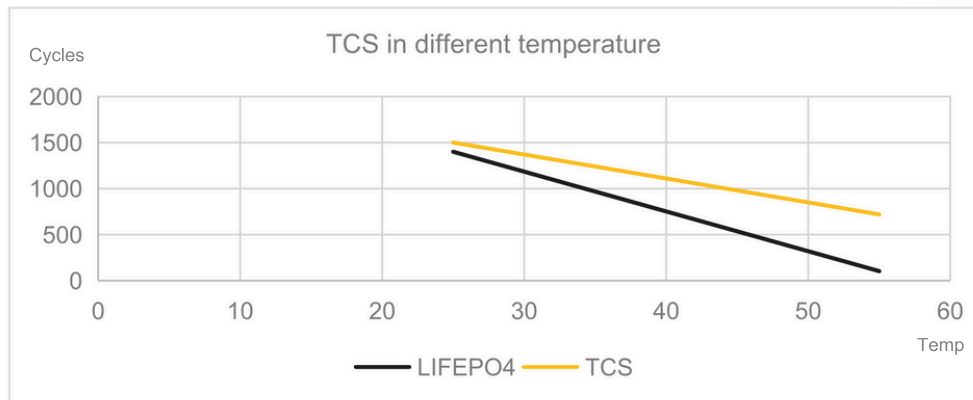
A Great Company should always pay the highest attention to the every detail design , and the craftsmanship spirit should be filled in the whole design process and mass production.



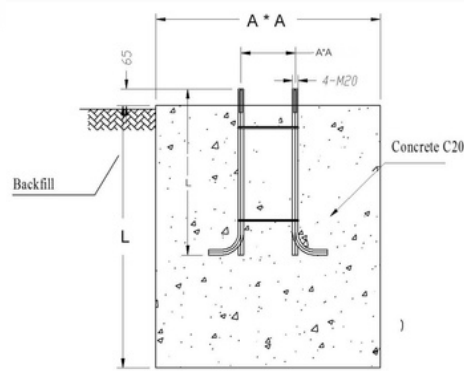
ADVANTAGE OF ALS



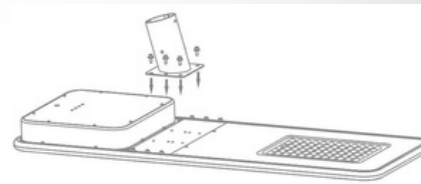
ADVANTAGE OF TCS



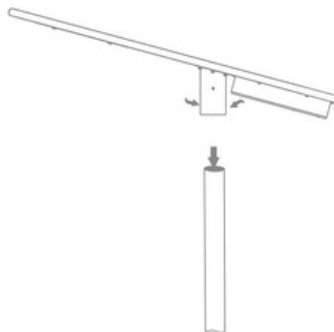
- 1 Dig a hole according to the size of the foundation cage, put the foundation cage into the hole and fix it with concrete C20.



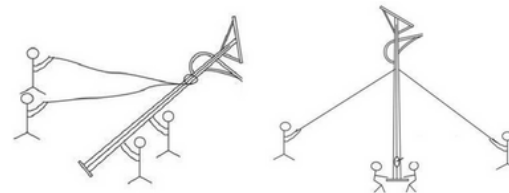
- 2 Use the supplied screws to fix the bracket on the lamp.



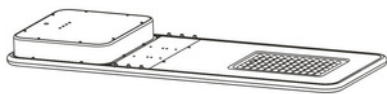
- 3 Use the supplied screws to fix the lamp on the pole.



- 4 Lift the lamp pole by the person or machine, align the bottom flange of the lamp pole with the foundation cage, and then fix the lamp pole with screws.



PRODUCT LIST  
SOLAR LIGHT : 1 PC



INNER BOX  
1 PC / 1 BOX



COLOR BOX

PRODUCT LIST

STEP 1

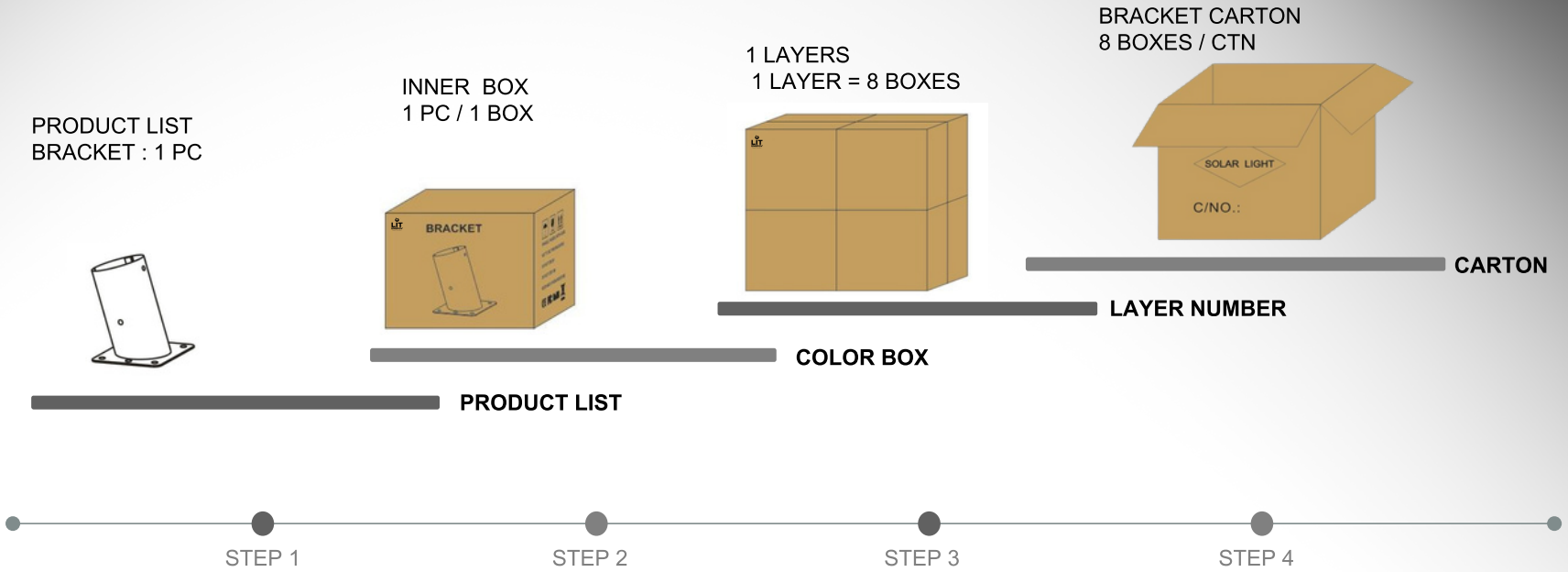
STEP 2

STEP 3

STEP 4

MODEL NO.	PCS/CTN	QTY(PCS)	CTN QTY	CARTON SIZE(MM)	N.W.(KG)	G.W.(KG)
SSL-92/93/94	1	1	1	915*160*445	7.8	9.1
SSL-95/96/97/98	1	1	1	1140*160*445	10.5	12
SSL-99/910/911/912	1	1	1	1374*160*447	13.5	15

Net weight and gross weight are for reference only



MODEL NO.	PACKING METHOD	PCS/CT N	QTY(PCS)	CTN QTY	CARTON SIZE(CM)	N.W.(KG)	G.W.(K G)
SSL-92/93/94/95/96/97/98/99/910/911/912 BRACKET	INNER BOX	1	1	1	15.5*13*12	0.65	0.8
	CARTON	8	8	1	32.5*27.5*26	5.2	6.4

Net weight and gross weight are for reference only

# THANKS VERY MUCH



**Contact:**

+971 52 822 6839

+971 52 446 2946

**Email:**

[info@litsenergy.com](mailto:info@litsenergy.com)

**Head Office:**

403 Maha Tower,  
Al Taawun, Sharjah, UAE